

MERCEDES-BENZ

Sprinter VS30 2XX-3XX-4XX 4x4

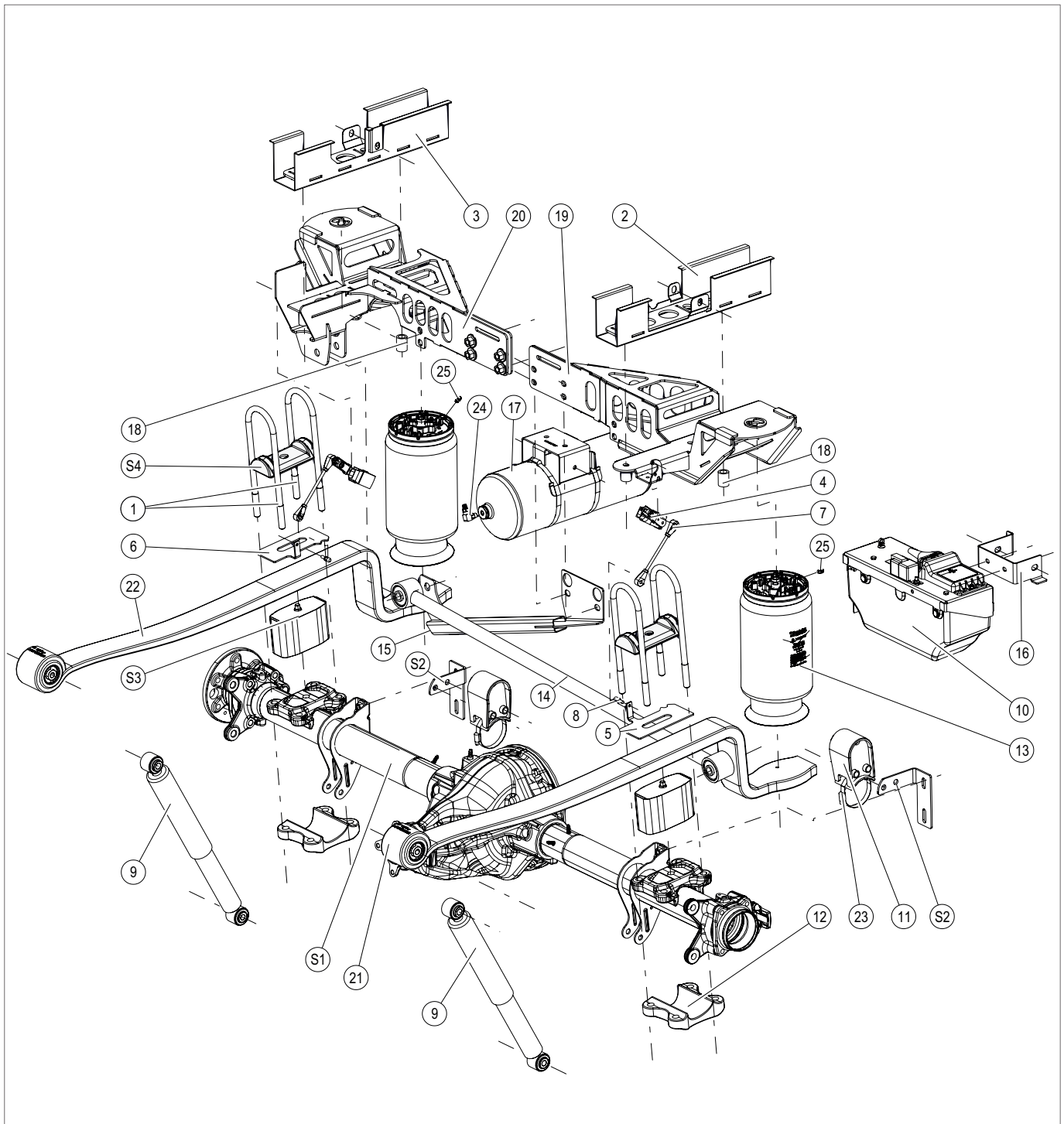


Sprinter VS30 2XX-3XX-4XX 4x4 Generation II

735105022725

V 02

For kit numbers:	
1050227270	Van, wheelbase 3665 mm
1050227280	Van, wheelbase 4325 mm
1050227290	Chassis cabine, wheelbase 3665 and 4325 mm



Original parts from the vehicle

Item	Qty.	Description
S1	1	Axle
S2	2	Bracket bump stop raiser

Item	Qty.	Description
S3	2	Spacer block
S4	2	Spring plate

MERCEDES-BENZ

Sprinter VS30 2XX-3XX-4XX 4x4



Item	Qty.	Description	Part number
1	4	U bolt M14 L=280	1052025268
2	1	Chassis reinforcement bracket Left	used in kit nr 1050227270
			used in kit nr 1050227280
			used in kit nr 1050227290
3	1	Chassis reinforcement bracket Right	used in kit nr 1050227270
			used in kit nr 1050227280
			used in kit nr 1050227290
4	2	Height sensor	1052090192
5	1	Ball joint bracket left	1052090286
6	1	Ball joint bracket right	1052090287
7	2	Height sensor rod L=150mm 180°	1052095057A
8	2	Ball joint M6	1052095178
9	2	Shock absorber	1052100211
10	1	Compressor box incl. wiring harness *	1052130244
11	2	Bump stop raiser	1052151311
12	2	Axle clamping plate	1452020300
13	2	Air spring	1452030300
14	1	Panhard rod	1452060300
15	1	Panhard rod reaction arm	1452060301
16	1	Compressor box bracket	1452130300
17	1	Air tank	1452250300
18	2	Distance bush	1452350301
19	1	Upper cross beam left	1452040300A
20	1	Upper cross beam right	1452040301A
21	1	Main spring left	A 9073501300
22	1	Main spring right	A 9073501400
23	2	Hose clamp Ø90 - Ø70 RVS	0014470090
24	1	Air coupling Ø6xM10x1 90°	1452251003
25	2	Air coupling Ø4xM8x1	1452251006
-	1	Supply cable	1052201256

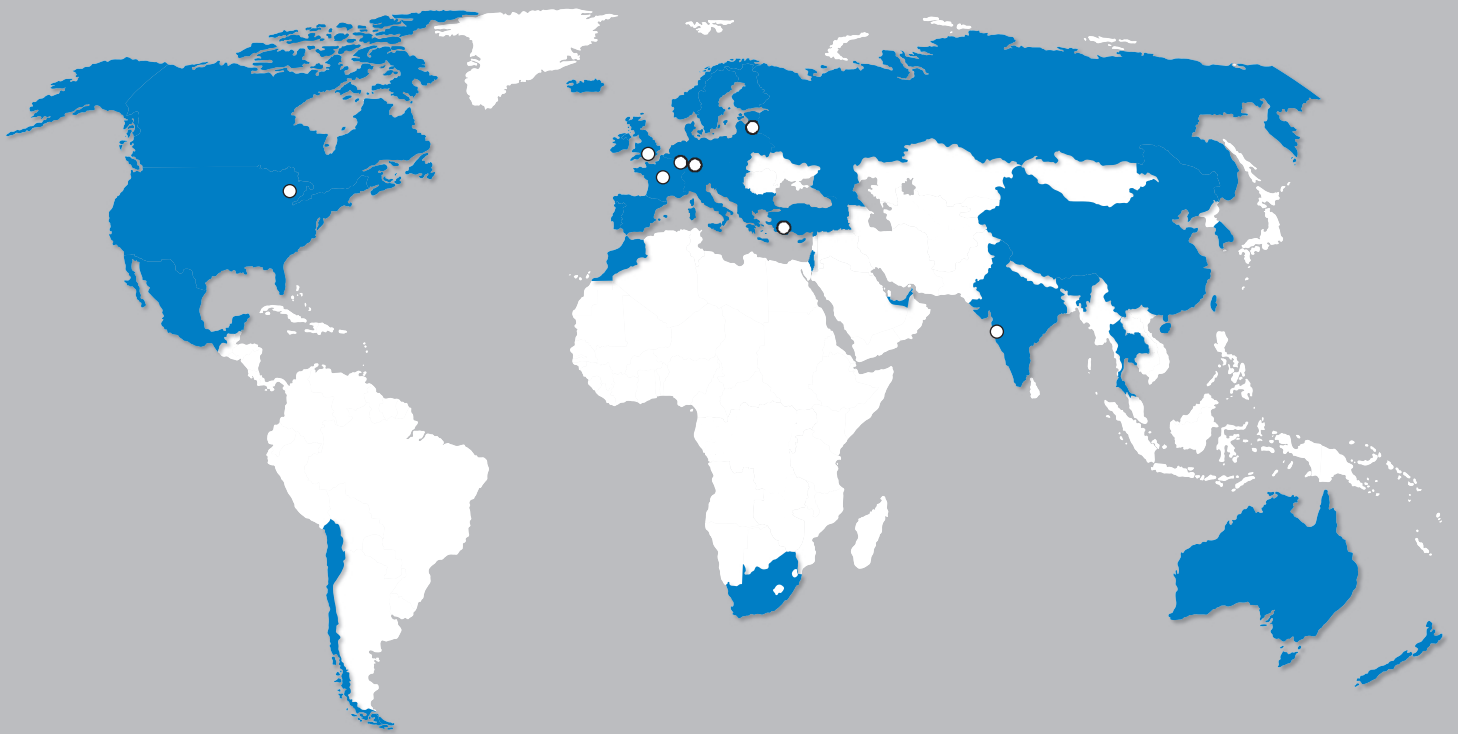
* For an exploded view of the compressor box, see chapter 'General - Universal compressor box 6'

MERCEDES-BENZ

Sprinter VS30 2XX-3XX-4XX 4x4



Item	Qty.	Description	Part number	
A	4	Bolt M10x80	0010110080CA	
B	4	Flange bolt M5x10	0010705010CA	
C	4	Flange bolt M8x20	0010708020CA	
E	6	Flange bolt M10x50	0010710050CA	
F	2	Flange bolt M12x30x1.5	0010712030DA	
G	4	Flange bolt M12x40x1.5	0010712040DA	
H	2	Flange bolt M12x110x1.5	0010712110DA	
I	2	Flange bolt M12x110x1.5	Chassis cabine	0010712110DA
	2	Flange bolt M12x120x1.5	Van	0010712120DA
J	1	Flange bolt M16x90x1.5	0010716090DA	
K	1	Flange bolt M16x110x1.5	0010716110DA	
L	2	Flange lock nut M6	0011106001AB	
M	8	Flange lock nut M12x1.5	0011112000DA	
N	8	Lock nut M14x1.5 rounded conical	0011114002SP	
O	2	Flange lock nut M16x1.5	0011116003DA	
P	4	Washer M10	0011210000AA	
R	2	Screw M6x25 torx	0015206025AF	



VB-AIRSUSPENSION,

INCREASED COMFORT, BETTER DRIVEABILITY, MORE SAFETY.