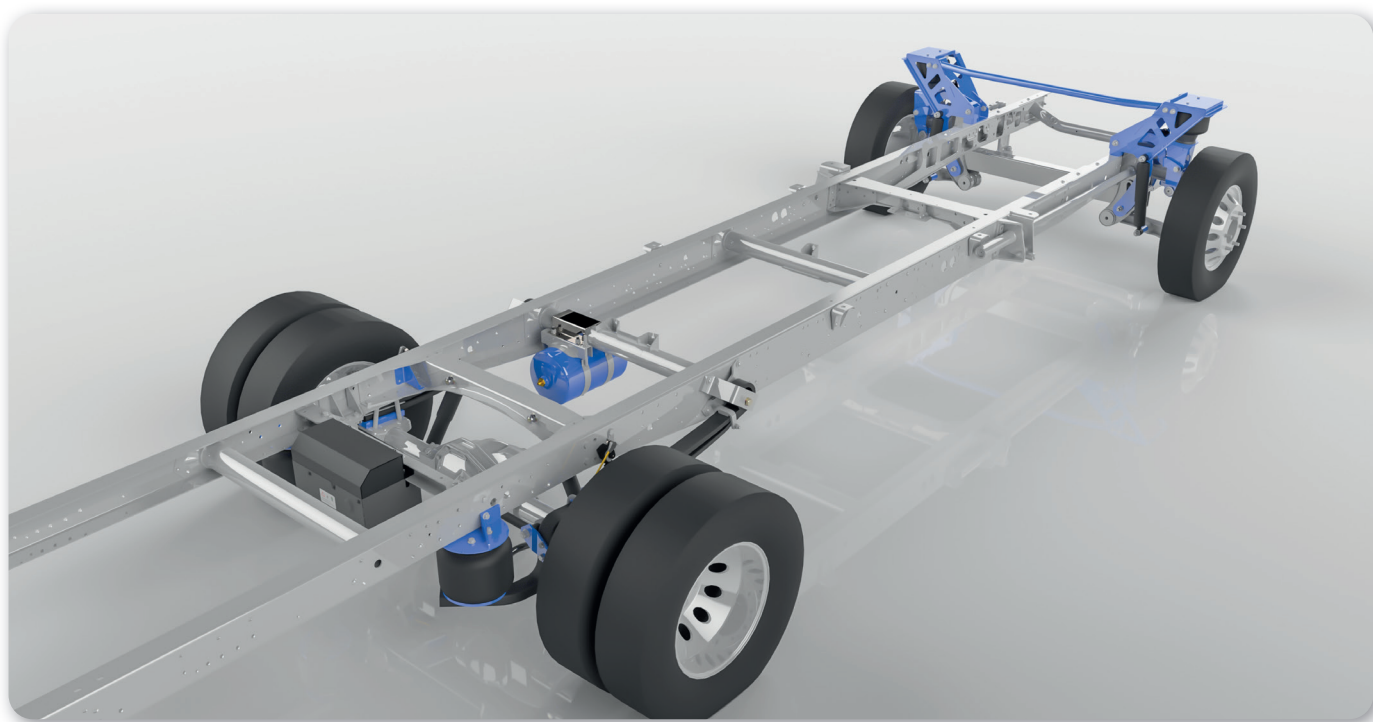


IVECO

Daily 45C-50C - 2006-current Generation II



Daily 45C-50C - 2006-current Generation II

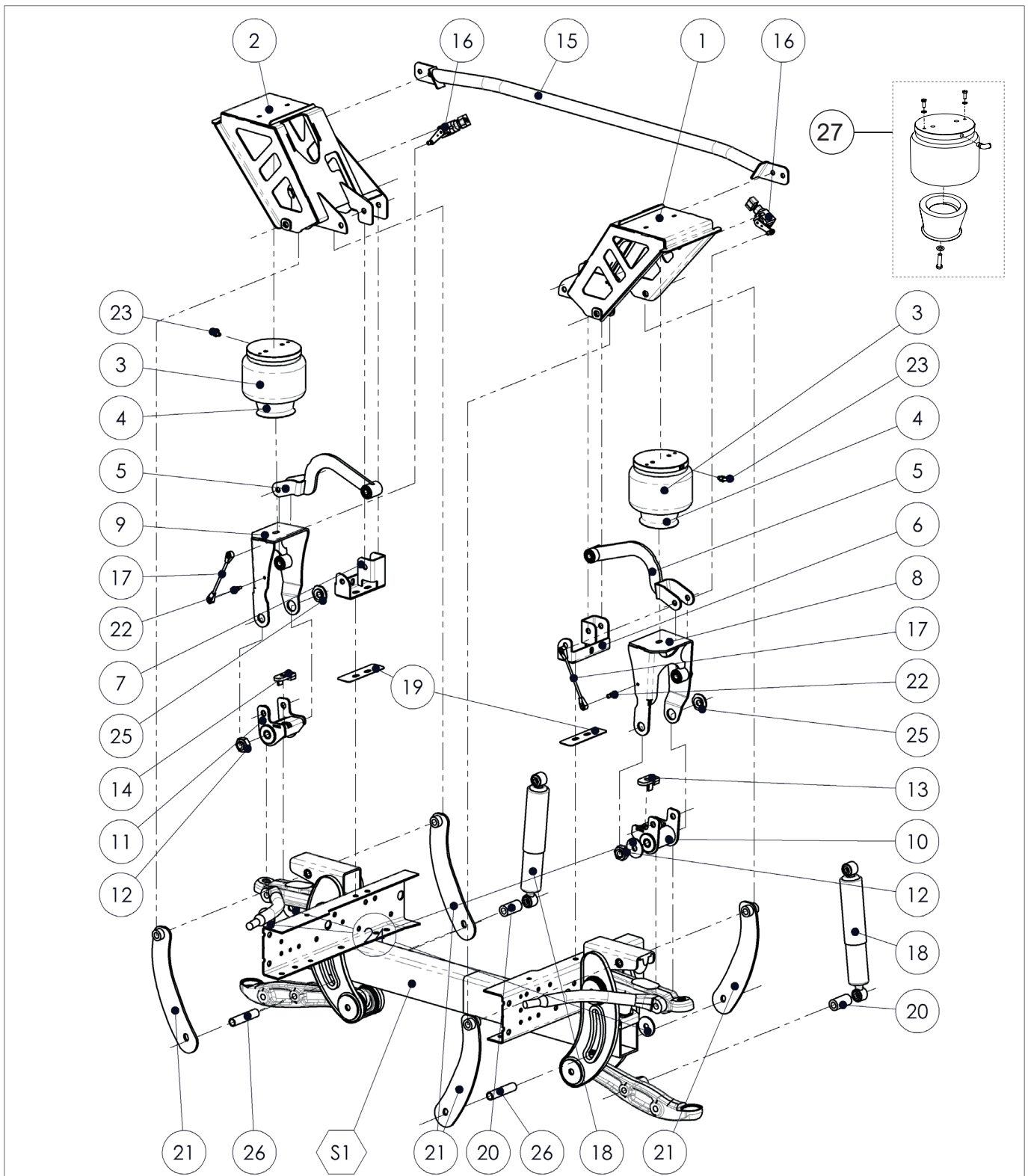
735105011111

V 07

For kit numbers:

1050111260

1050111460



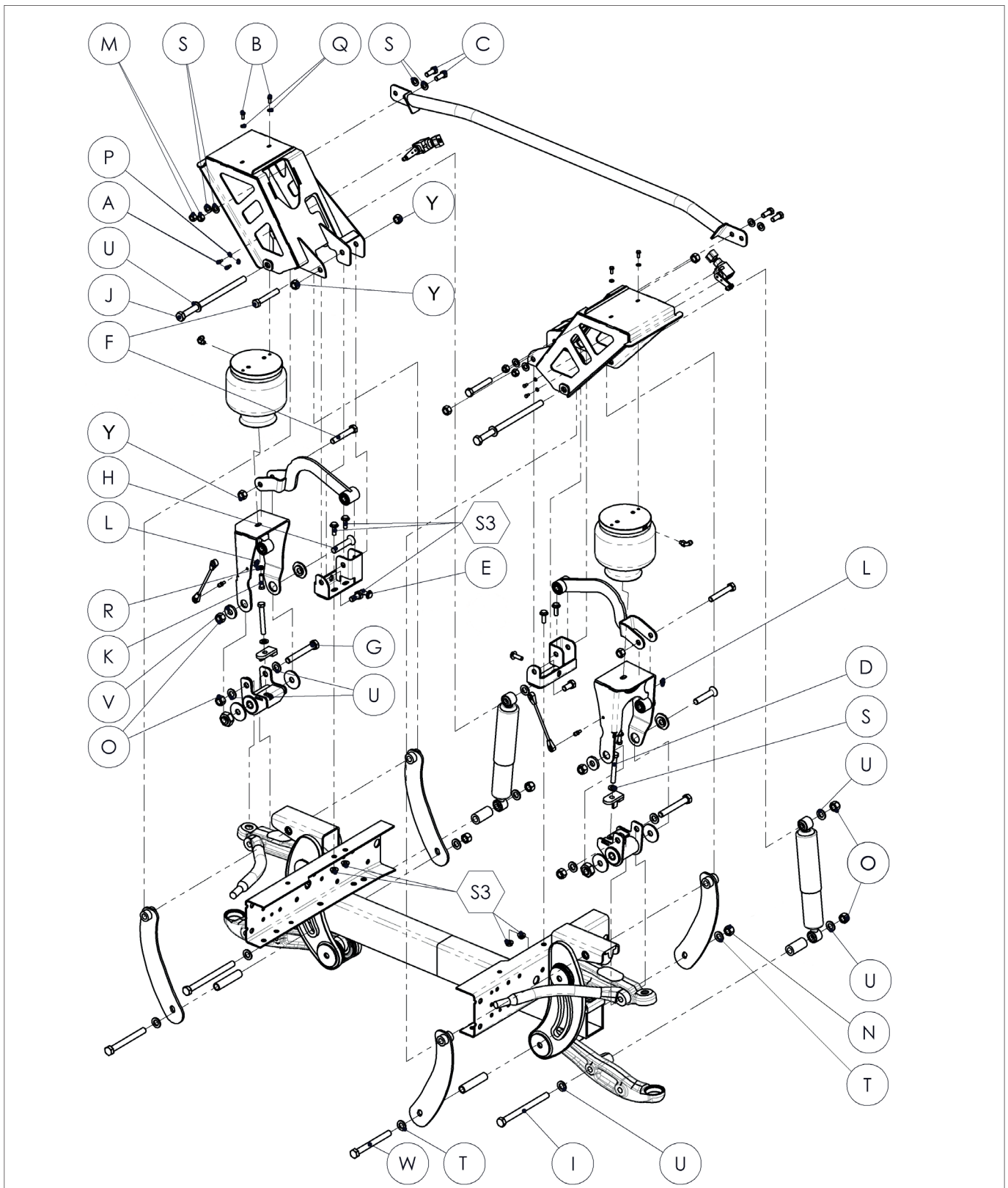
Original parts from the vehicle

| Item | Qty. | Description |
|------|------|-----------------------------|
| S1 | 1 | Chassis Iveco Daily 35-50 C |



| Item | Qty. | Description | Part number |
|------|------|---|-------------|
| 1 | 1 | Upper spring bracket left | 1052040222 |
| 2 | 1 | Upper spring bracket right | 1052040223 |
| 3 | 2 | Air spring (See also item 27 Air spring assembly) | 1052032257B |
| 4 | 2 | Piston | 1052030123 |
| 5 | 2 | Link arm | 1052040224 |
| 6 | 1 | Link arm bracket left | 1052040225 |
| 7 | 1 | Link arm bracket right | 1052040226 |
| 8 | 1 | Lower spring bracket left | 1052050057A |
| 9 | 1 | Lower spring bracket right | 1052050058A |
| 10 | 1 | Hinge bracket left | 1052050059A |
| 11 | 1 | Hinge bracket right | 1052050060A |
| 12 | 2 | Align nut front | 1052050063 |
| 13 | 1 | Clamp left | 1052050061 |
| 14 | 1 | Clamp right | 1052050062 |
| 15 | 1 | Cross beam | 1052040072 |
| 16 | 2 | Height sensor | 1052091030 |
| 17 | 2 | Height sensor rod | 1052095061A |
| 18 | 2 | Shock absorber | 1052101671B |
| 19 | 4 | Filling plate | 1052040227 |
| 20 | 2 | Distance tube 60mm | 0014200025 |
| 21 | 4 | Reinforcement plate | 1052040228 |
| 22 | 2 | Ball-joint | 1052095178 |
| 23 | 2 | Air coupling | 0020906018 |
| 24 | 4 | Washer ø55mm | 1052050064 |
| 25 | 2 | Align nut rear | 1052050069 |
| 26 | 2 | Distance tube 102 mm | 0014200076 |
| 27 | 2* | Air spring assembly (Air spring, fasteners, air coupling) | 8052032257B |

* Spare parts: Air spring assembly.



Original parts from the vehicle

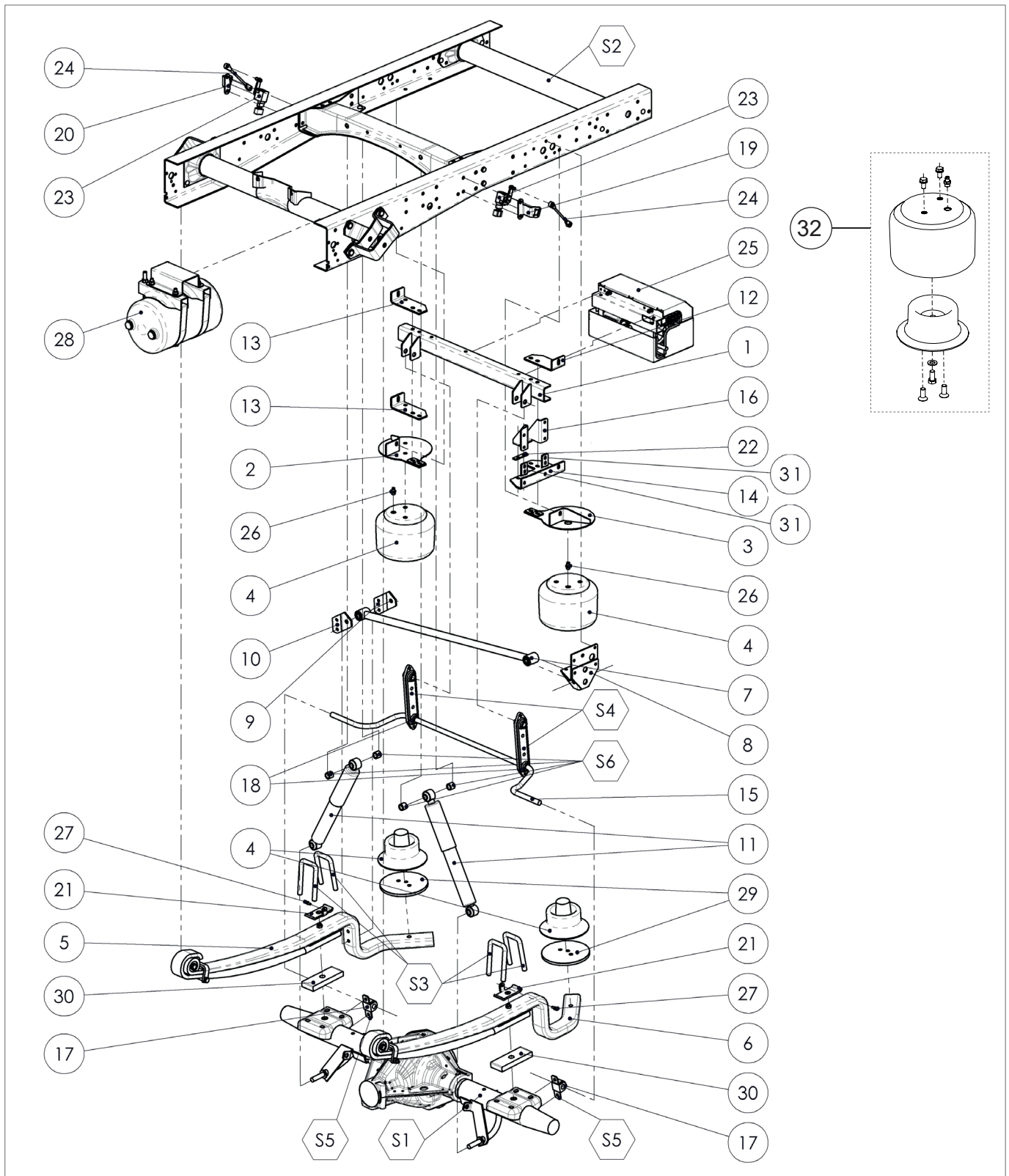
| Item | Qty. | Description |
|------|------|--------------------|
| S3 | 6 | Flange bolt M10x30 |
| S3 | 4 | Flange nut M10 |

IVECO

Daily 45C-50C - 2006-current Generation II



| Item | Qty. | Description | Part number |
|------|------|---------------------------------|-----------------|
| A | 4 | Bolt M5x10 | 0010105010AA |
| B | 4 | Bolt M6x12 | 0010106012AA |
| C | 4 | Bolt M12x30 | 0010112030CA |
| D | 2 | Bolt M12x90 | 0010112090CA |
| E | 2 | Flange bolt M14x35x1.5 | 0010714035DH |
| F | 4 | Flange bolt M14x90x1.5 | 0010714090DH |
| G | 2 | Bolt M16x110 | 0010116110CA-SP |
| H | 2 | Countersunk Allen screw M16x170 | 0010516170CA |
| I | 2 | Bolt M16x200 | 0010116200CA |
| J | 2 | Bolt M16x280 | 0010116280CA |
| K | 2 | Bolt UNC 3/8"x1 1/2" Tuflok | 0010238112AE |
| L | 2 | Flange lock nut M6 | 0011106001AB |
| M | 4 | Lock nut M12 | 0011012001CA |
| N | 2 | Lock nut M14 | 0011014001CA |
| O | 10 | Lock nut M16 | 0011016001CA |
| P | 4 | Washer M5 | 0011205000AA |
| Q | 4 | Washer M6 | 0011206000AA |
| R | 2 | Washer M10 | 0011210000AA |
| S | 10 | Washer M12 | 0011212000AA |
| T | 4 | Washer M14 | 0011214000AA |
| U | 10 | Washer M16 | 0011216000AA |
| V | 2 | Washer M16 ø40 | 0011316000AA |
| W | 2 | Bolt M14x150 | 0010114150CA |
| Y | 6 | Flange lock nut M14x1.5 | 0011114000DH |



Original parts from the vehicle

| Item | Qty. | Description |
|------|------|-------------|
| S1 | 1 | Rear axle |
| S2 | 1 | Chassis |
| S3 | 4 | U-bolt |

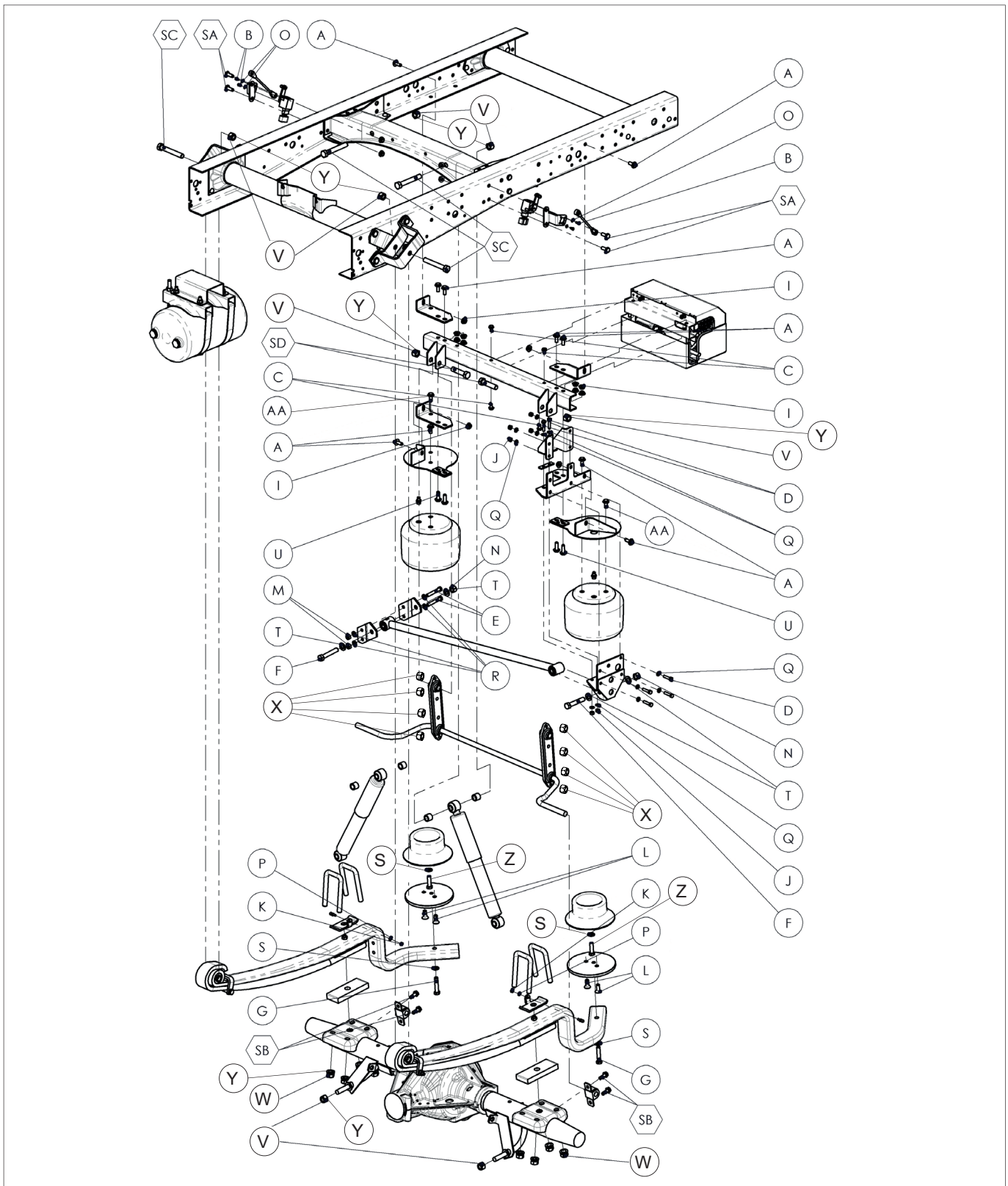
| Item | Qty. | Description |
|------|------|--------------------|
| S4 | 2 | Stabiliser arm |
| S5 | 2 | Stabiliser support |
| S6 | 4 | Distance bush |



| Item | Qty. | Description | Part number |
|------|------|---|-------------|
| 1 | 1 | Upper cross beam | 1252041580A |
| 2 | 1 | Upper mounting plate, right | 1252041570 |
| 3 | 1 | Upper mounting plate, left | 1252041575 |
| 4 | 2 | Air spring (See also item 32 Air spring assembly) | 1052030209 |
| 5 | 1 | Main spring, right | 1252011580A |
| 6 | 1 | Main spring, left | 1252011585A |
| 7 | 1 | Panhard rod | 1252061570A |
| 8 | 1 | Panhard support chassis | 1252061575 |
| 9 | 1 | Panhard support main spring rear | 1252061585 |
| 10 | 1 | Panhard support main spring front | 1252061590 |
| 11 | 2 | Shock absorber | 1052100185 |
| 12 | 1 | Upper cross beam support left | 1252041586 |
| 13 | 2 | Cross beam support right | 1252041591 |
| 14 | 1 | Lower cross beam support left | 1252041595 |
| 15 | 1 | Stabiliser | 1252071571 |
| 16 | 1 | Panhard support | 1052070001 |
| 17 | 2 | Stabiliser rubber | 1052071023 |
| 18 | 2 | Stabiliser rubber | 1052071024 |
| 19 | 1 | Height sensor support left | 1052090106 |
| 20 | 1 | Height sensor support right | 1052090107 |
| 21 | 2 | Ball-joint support | 1052090108 |
| 22 | 1 | Filling plate | 1252061581 |
| 23 | 2 | Height sensor | 1052091030 |
| 24 | 2 | Height sensor rod | 1052095008 |
| 25 | 1 | Compressor box * | 1052130229 |
| 26 | 2 | Air coupling | 0020906019 |
| 27 | 2 | Ball-joint | 1052095178 |
| 28 | 1 | Air tank kit | 1052255096 |
| 29 | 2 | Lower spring plate | 1052050115 |
| 30 | 2 | Spacer block | 1052025238 |
| 31 | 2 | Filling plate | 1052070002 |
| 32 | 2** | Air spring assembly (Air spring, fasteners, air coupling) | 8052030209 |

* For an exploded view of the compressor box, see chapter 'General - Universal compressor box 3'

** Spare parts: Air spring assembly.



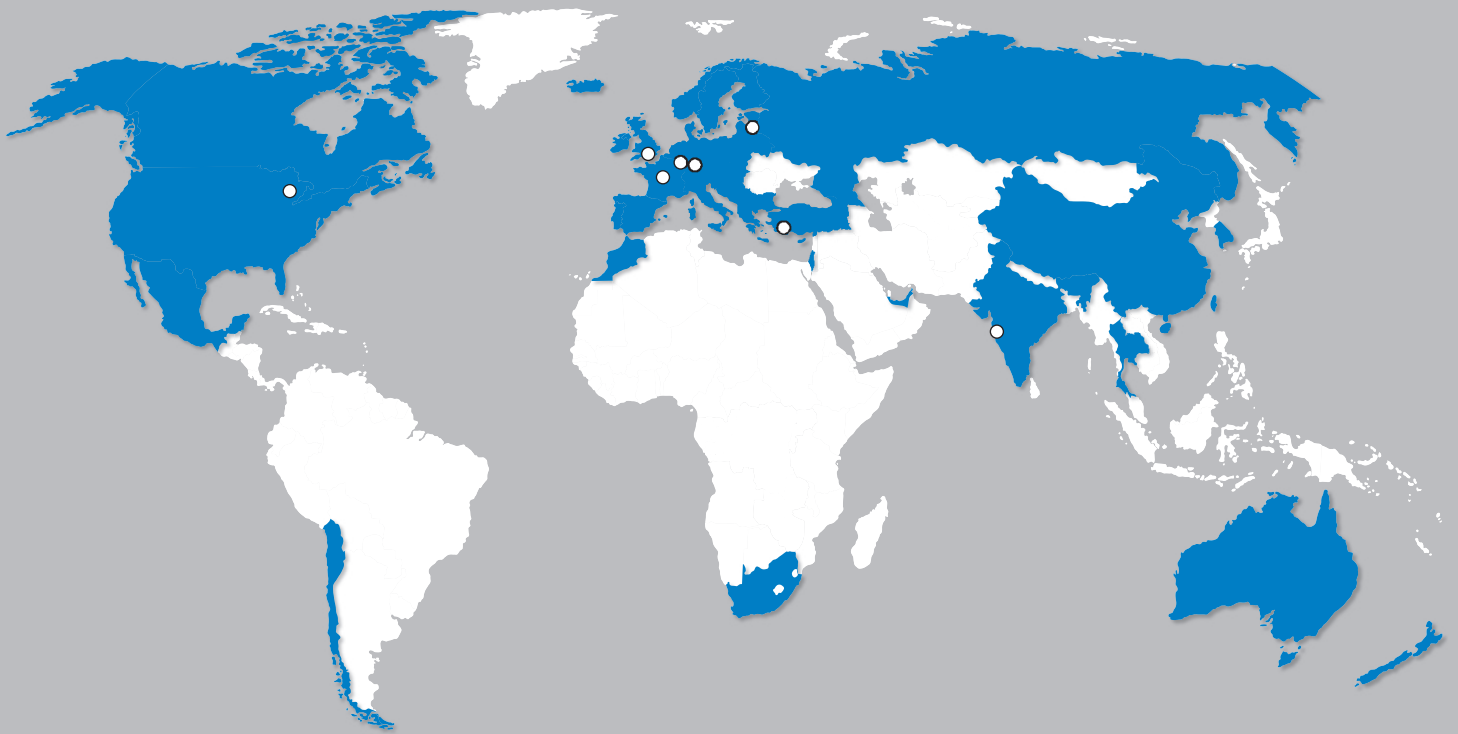
Original parts from the vehicle

| Item | Qty. | Description |
|------|------|--------------------|
| SA | 4 | Flange bolt M10x30 |
| SB | 4 | Flange bolt M10x30 |

| Item | Qty. | Description |
|------|------|--------------|
| SC | 4 | Bolt M16x110 |
| SD | 2 | Bolt M16x70 |



| Item | Qty. | Description | Part number |
|------|------|--------------------------------|--------------|
| A | 10 | Flange bolt M10x25 | 0010710025AA |
| B | 4 | Bolt M5x10 | 0010105010AA |
| C | 4 | Flange bolt M8x16 | 0010708016AA |
| D | 6 | Bolt M8x35 | 0010108035AA |
| E | 2 | Bolt M10x65x1 | 0010110065GB |
| F | 2 | Bolt M14x80 | 0010114080CA |
| G | 2 | Bolt M12x60 | 0010112060CA |
| I | 12 | Flange nut M10 Tensilock | 0011110000AB |
| J | 6 | Lock nut M8 | 0011008001AA |
| K | 2 | Lock nut M6 nylon | 0011006000AA |
| L | 4 | Countersunk Allen screw M12x30 | 0010512030AA |
| M | 2 | Lock nut M10x1 nylon | 0011010000BA |
| N | 2 | Lock nut M14 steel | 0011014001CA |
| O | 4 | Washer M5 | 0011205000AA |
| P | 2 | Washer M6 | 0011206000AA |
| Q | 12 | Washer M8 | 0011208000AA |
| R | 4 | Washer M10 | 0011210000AA |
| S | 4 | Washer M12 | 0011212000AA |
| T | 4 | Washer M14 | 0011214000AA |
| U | 4 | Flange bolt M10x30 | 0010710030AA |
| V | 8 | Lock nut M16 | 0011016001CA |
| W | 8 | Lock nut M16x1.5 | 0011016001DA |
| X | 8 | Flange lock nut M10 | 0011110000CA |
| Y | 16 | Washer M16 | 0011216000AA |
| Z | 2 | Flange bolt M12x25 | 0010112025CA |
| AA | 2 | Flange bolt M10x20 | 0010710020AA |



VB-AIRSUSPENSION,

INCREASED COMFORT, BETTER DRIVEABILITY, MORE SAFETY.